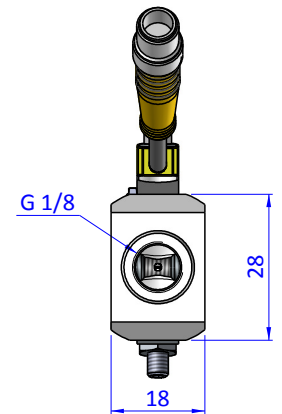
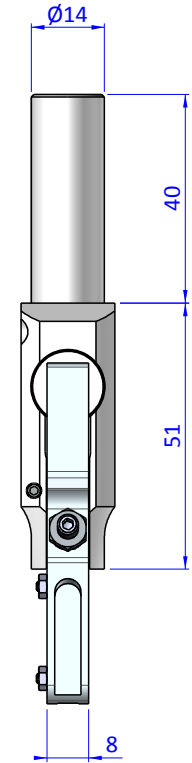
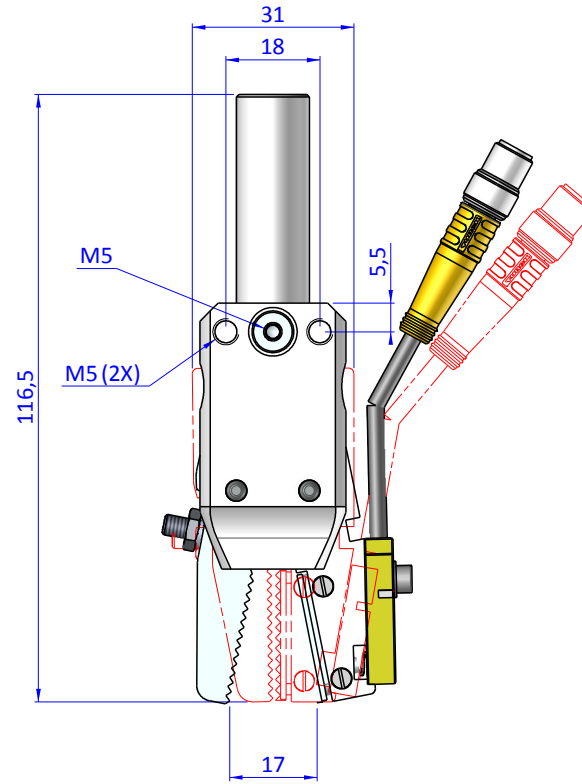
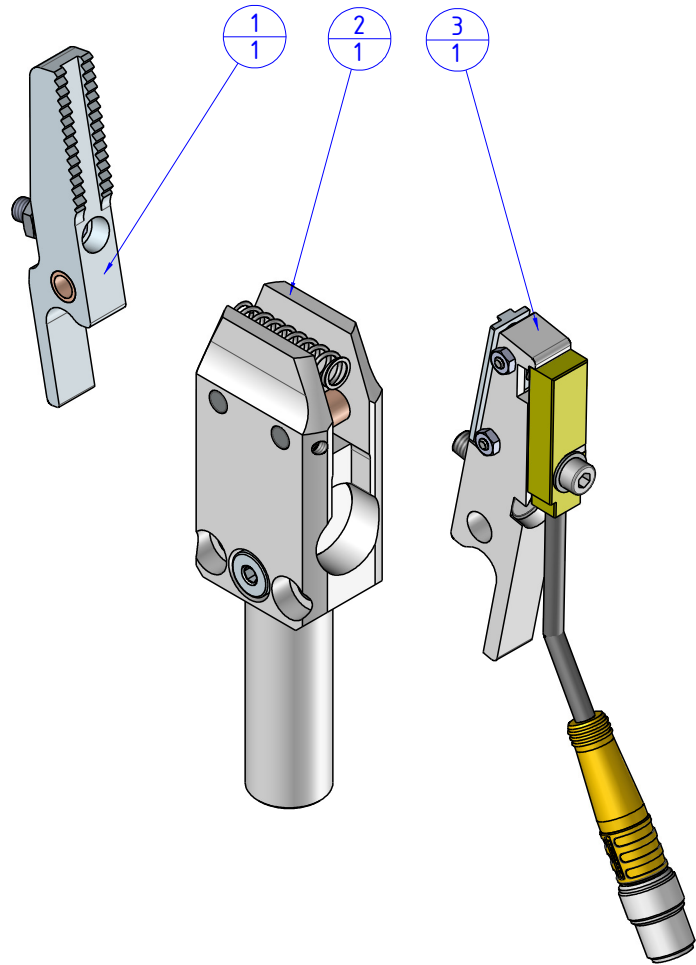



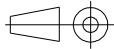
THE PROPERTY OF THE DRAWING IS ESTABLISHED BY LAW. IT IS FORBIDDEN TO PRODUCE OR SHOW IT TO THIRD PARTY, WITHOUT A WRITTEN AGREEMENT.

Item	Name	Q.ty
1	GTS.03.12	1
2	GTS.03.G18	1
3	GTS.03.15	1



Format A3

UNI 936-76

 FPS <small>FPSERVICES AUTOMATION</small>				DESIGNED FROM FPS Automation	REVIEW A
GENERAL TOLERANCE UNI - ISO 2768 CLASSE f	DESCRIPTION CA.GTS.1003.1215			DATE 22/03/2019	WEIGHT 0,095kg
				CODE CA.GTS.1003.1215	